



Hyflow Controls



HYDRAULIC POWER UNITS



Hyflow Controls

CONTENTS

Options..... 1

Single Acting

Dimensions..... 2

Table chart..... 3

Double Acting

Dimensions..... 4

Table chart..... 5

Accessories..... 6

Warranty..... 7

OPTIONS

A10 K20 D15 DSR08 H1 25 - **

MANIFOLD CODE

Series	Circuit
A	08
	09
	10
	20

MISCELLANEOUS

Blank	None
A	Remote Pendant

SYSTEM PRESSURE PSI

	psi
05	500
10	1000
15	1500
20	2000
25	2500
30	3000
35	3500
XX	Other

PUMP

	cm ³ /rev	in ³ /rev	gpm@ 1000rpm
K06	0.60	0.037	0.16
K08	0.75	0.046	0.20
K10	1.00	0.061	0.26
K16	1.60	0.098	0.42
K20	2.00	0.122	0.53
K25	2.50	0.153	0.66
K33	3.30	0.201	0.87
K42	4.20	0.256	1.11
K58	5.80	0.354	1.53

MOUNTING

H1	Horizontal 1
H2	Horizontal 2
H3	Horizontal 3
H4	Horizontal 4
V1	Vertical 1
V2	Vertical 2
V3	Vertical 3
V4	Vertical 4

MOTOR

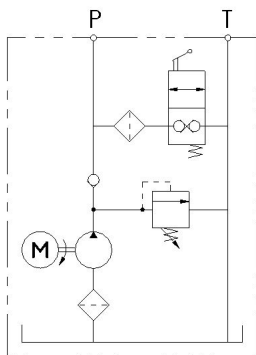
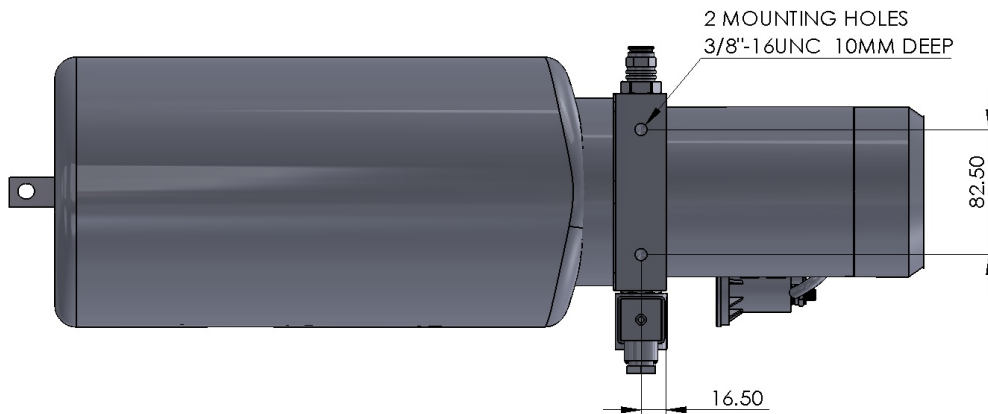
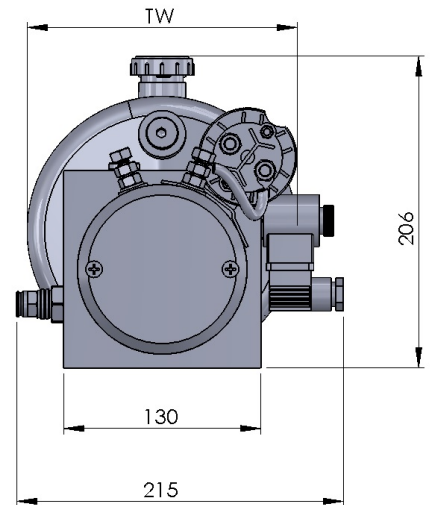
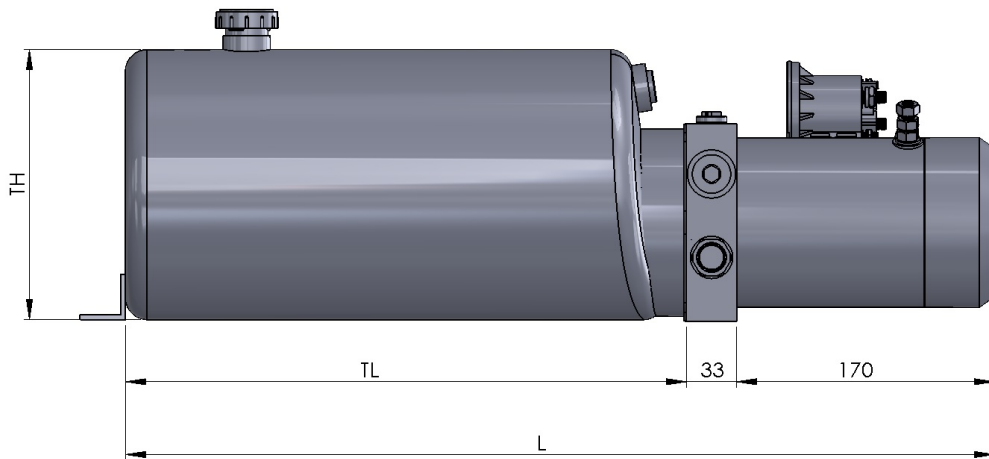
D15	12VDC, 4.5" OD 1.5KW
D16	12VDC, 4.5" OD 2.0KW
D25	24VDC, 4.5" OD 2.2KW

TANK

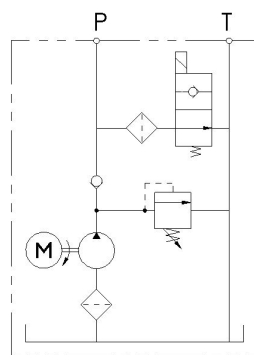
Type		Capacity
DPS06	Plastic, Square	6.0
DPS08	Plastic, Square	8.0
DPS10	Plastic, Square	10.0
DPS12	Plastic, Square	12.0
DSD02	Steel, Round Deep Drawn	2.0
DSL02	Steel, Offset Round, low	1.7
DSL03	Steel, Offset Round, low	2.8
DSL04	Steel, Offset Round, low	4.0
DSR04	Steel, Offset Round	4.0
DSR05	Steel, Offset Round	5.0
DSR06	Steel, Offset Round	6.0
DSR08	Steel, Offset Round	8.0
DSR10	Steel, Offset Round	10.0
DSR12	Steel, Offset Round	12.0
DSR14	Steel, Offset Round	14.0
DSF05	Steel, Side Offset Round	5.0
DSF06	Steel, Side Offset Round	6.0
DSS11	Steel, Square	11.0
DSS15	Steel, Square	15.0
DSS18	Steel, Square	18.0

Single Acting

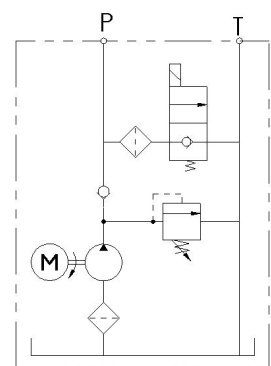
Dimensions



HYDRAULIC CIRCUIT A08
SINGLE ACTING MANUAL DOWN



HYDRAULIC CIRCUIT A09
SINGLE ACTING NOT HOLDING



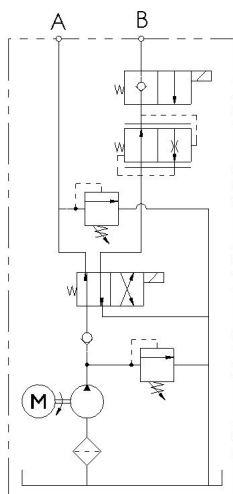
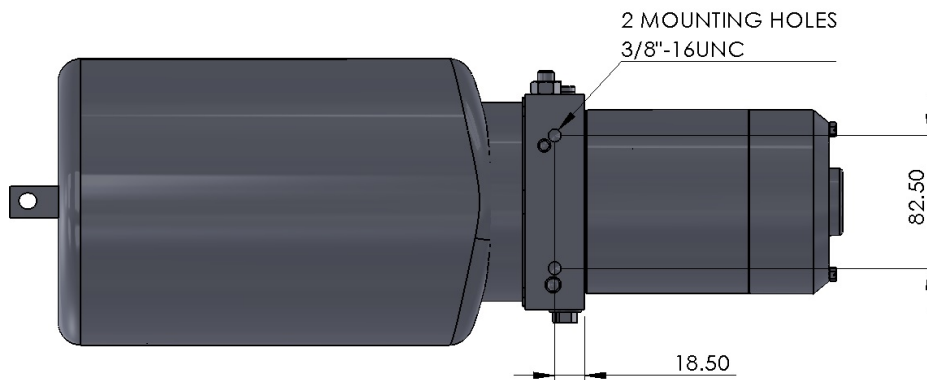
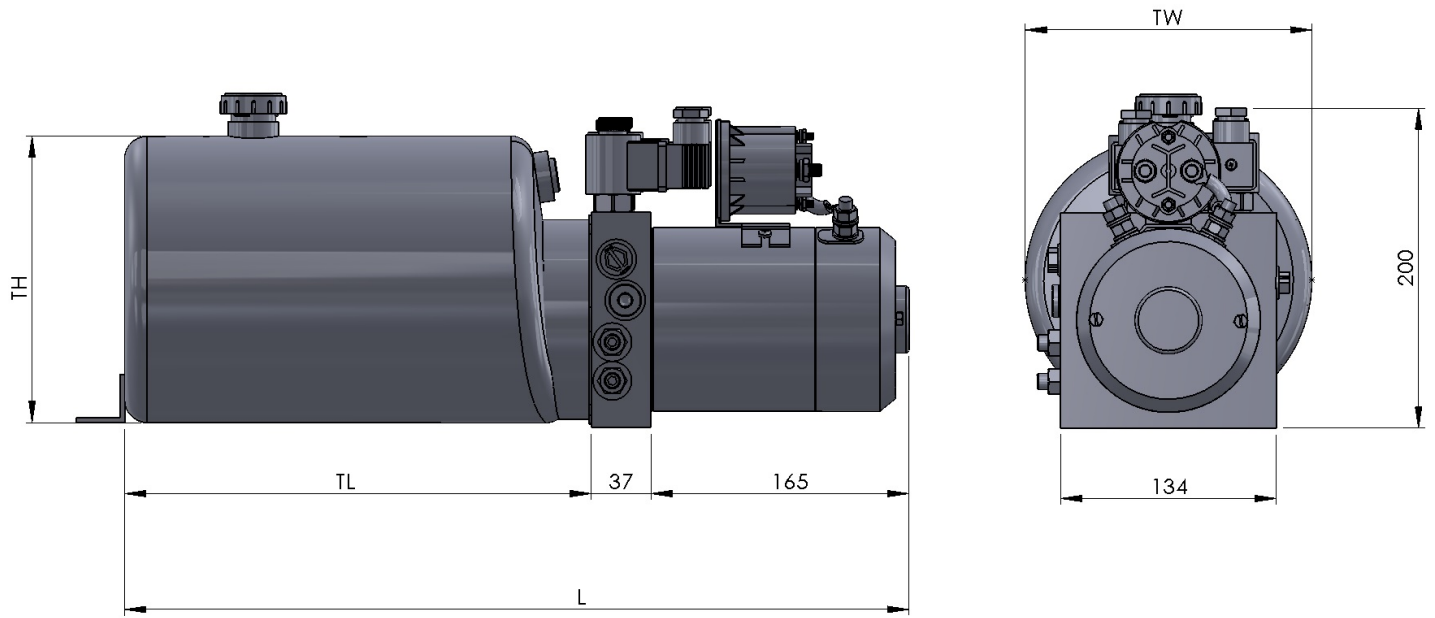
HYDRAULIC CIRCUIT A10
SINGLE ACTING

Table

			Capacity Qts	TL mm	TW mm	TH mm	L mm
DPS06	Plastic, Square		6.0	260	182	184	462
DPS08	Plastic, Square		8.0	330	182	184	532
DPS10	Plastic, Square		10.0	450	182	184	652
DPS12	Plastic, Square		12.0	513	182	184	715
DSD02	Steel, Round Deep Drawn		2.0	210	120	184	412
DSL02	Steel, Offset Round, low		1.7	152	150	184	354
DSL03	Steel, Offset Round, low		2.8	215	150	184	417
DSL04	Steel, Offset Round, low		4.0	270	150	184	472
DSR04	Steel, Offset Round		4.0	225	178	184	427
DSR05	Steel, Offset Round		5.0	270	178	184	472
DSR06	Steel, Offset Round		6.0	290	178	184	492
DSR08	Steel, Offset Round		8.0	370	178	184	572
DSR10	Steel, Offset Round		10.0	440	178	184	642
DSR12	Steel, Offset Round		12.0	545	178	184	747
DSR14	Steel, Offset Round		14.0	610	178	184	812
DSF05	Steel, Side Offset Round		5.0	270	177	184	472
DSF06	Steel, Side Offset Round		6.0	300	177	184	502
DSS11	Steel, Square		11.0	330	200	200	532
DSS15	Steel, Square		15.0	440	200	200	642
DSS18	Steel, Square		18.0	560	200	200	762

Double Acting

Dimensions



HYDRAULIC CIRCUIT A20
DOUBLE ACTING

Table

			Capacity Qts	TL mm	TW mm	TH mm	L mm
DPS06	Plastic, Square	6.0		260	182	184	462
DPS08	Plastic, Square	8.0		330	182	184	532
DPS10	Plastic, Square	10.0		450	182	184	652
DPS12	Plastic, Square	12.0		513	182	184	715
DSD02	Steel, Round Deep Drawn	2.0		210	120	184	412
DSL02	Steel, Offset Round, low	1.7		152	150	184	354
DSL03	Steel, Offset Round, low	2.8		215	150	184	417
DSL04	Steel, Offset Round, low	4.0		270	150	184	472
DSR04	Steel, Offset Round	4.0		225	178	184	427
DSR05	Steel, Offset Round	5.0		270	178	184	472
DSR06	Steel, Offset Round	6.0		290	178	184	492
DSR08	Steel, Offset Round	8.0		370	178	184	572
DSR10	Steel, Offset Round	10.0		440	178	184	642
DSR12	Steel, Offset Round	12.0		545	178	184	747
DSR14	Steel, Offset Round	14.0		610	178	184	812
DSF05	Steel, Side Offset Round	5.0		270	177	184	472
DSF06	Steel, Side Offset Round	6.0		300	177	184	502
DSS11	Steel, Square	11.0		330	200	200	532
DSS15	Steel, Square	15.0		440	200	200	642
DSS18	Steel, Square	18.0		560	200	200	762

Accessories



Part Number	Description
RCA-2B4L6M-H	2 Button Pendant Remote with a 19.6 ' Lead. Used on Single Acting and Double Acting Units.

Warranty Policy

The Hyflow Controls power unit and other parts covered in this catalog are warranted for a period of (1) one year from the date of installation against any defect in material and workmanship which existed at the time of sale by Hyflow Controls Inc., according to the following provisions, subject to the requirements that the power unit must be used only in accordance with catalog and package instructions.

If during the warranty period the power unit fails due to a defect in any part in material or workmanship that existed at the time of the sale by Hyflow Controls Inc., the defective part will be repaired or replaced, at the discretion of Hyflow Controls Inc., at no charge, if the defective part is returned to Hyflow Controls Inc. with transportation prepaid. Authorization from your sales representative is required to initiate the warranty.

WARNING: The above warranty shall terminate if any alterations or repairs are made to the power unit other than at Hyflow Controls Inc.

The foregoing warranty is in lieu of all other obligations and liabilities, including negligence and all warranties of merchantability and suitability, expressed or implied, and state Hyflow Controls' entire and exclusive liability and buyer's exclusive remedy for any claim of damages in connection with the sale, repair or replacement of the above goods, their design, installation or operation. Hyflow Controls Inc. will in no event be liable for any direct, indirect, special, incidental or consequential damages whatsoever, and our liability under no circumstances will exceed the contract price for the goods for which liability is claimed.

Hyflow Controls Inc. is not liable for any repair related cost incurred to the buyer at any time if the repair is conducted by the buyer without written authorization from Hyflow Controls Inc.

Notes



Hyflow Controls

2134 S. Green Privado

Ontario, CA 91761

Tel: 1-866-865-8889

sales@hyflow-controls.com

www.hyflow-controls.com